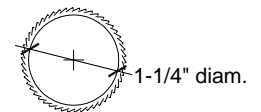
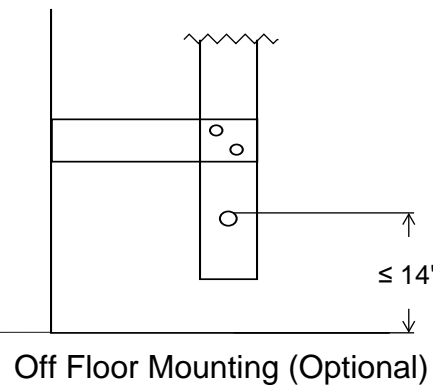


(A) Wall Bracket Detail



(B) Ladder Rung Cross Section



Off Floor Mounting (Optional)

CONTRACTOR TO VERIFY THE FOLLOWING DIMENSIONS:

(A) F.F. to Roof Hatch Lid: _____

(B) F.F. to Ceiling: _____

Industrial Ladder & Scaffolding, Inc.

8152 Belvedere Ave. P: (800) 262-0231
 Sacramento, CA F: (916) 452-0245
 www.anyladder.com

Since 1959

Ladder Options:

- Retractable Ladder Safety Post
- Security Door
- Reinforced Siderails
- Off Floor Mounting

ALACCRH

- Freight
- Will Call - Sacramento

Address: _____

City, State, Zip: _____

Company: _____

Name: _____

Phone Number: _____

Signature: _____