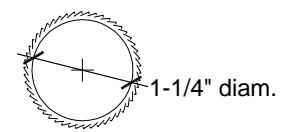
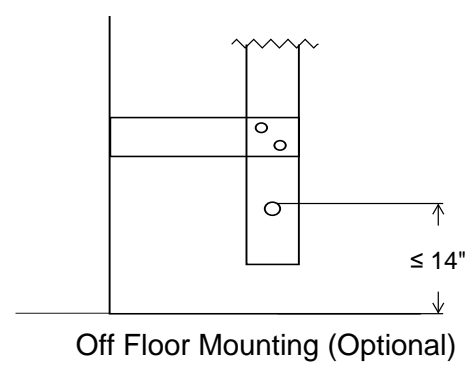


9/16" Pre Drilled Holes @ 16" O.C.  
 (Anchor/ Lag Bolts Provided by Others)

**B** Wall Bracket Detail



**A** Rung Section



**A. Contractor to Verify the distance from the F.F. to the roof or mezzanine .**

**Industrial Ladder & Scaffolding, Inc.**  
 8152 Belvedere Ave. P: (800) 262-0231  
 Sacramento, CA F: (916) 452-0245  
 www.anyladder.com  
 Since 1959

- Ladder Options:**
- Fall Protection Safety Gate
  - Off Floor Mounting
  - Reinforced Side Rails
  - Vertical Handrails
  - Security Door

**ALACCB**

Freight  Will Call - Sacramento, CA

Address: \_\_\_\_\_  
 City, State, Zip: \_\_\_\_\_

Company: \_\_\_\_\_  
 Name: \_\_\_\_\_  
 Phone Number: \_\_\_\_\_  
 Signature: \_\_\_\_\_  
 Date: \_\_\_\_\_