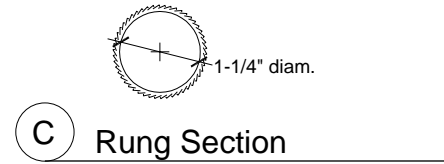


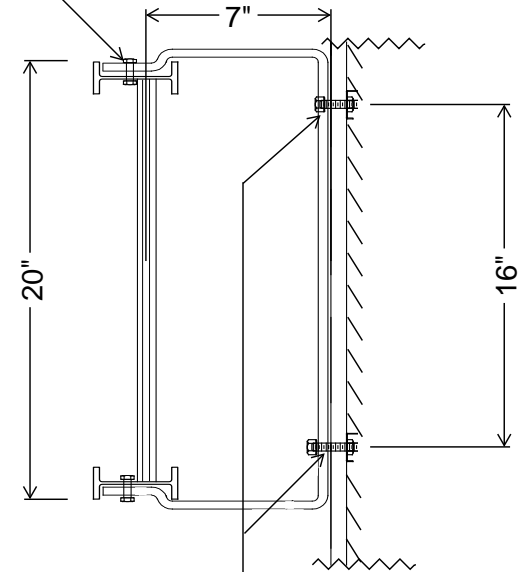
A Platform Plan View



Are there any Pop Outs on the Wall? How far do they stick out?

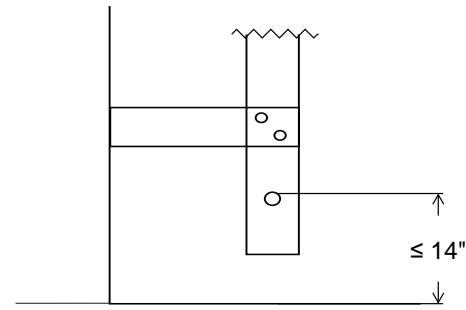
A. Contractor to Verify the distance from the F.F. to the roof or mezzanine .

(2) 3/8" Bolts w/ Locking Nut



9/16" Pre Drilled Holes @ 16" O.C.
(Anchor/ Lag Bolts Provided by Others)

B Wall Bracket Detail



Industrial Ladder & Scaffolding, Inc.
 8152 Belvedere Ave. P: (800) 262-0231
 Sacramento, CA F: (916) 452-0245
 www.anyladder.com
 Since 1959

- Ladder Options:**
- Fall Protection Safety Gate
 - Off Floor Mounting
 - Reinforced Side Rails
 - Vertical Handrails
 - Security Door

ALACCBP

Freight Will Call - Sacramento, CA

Address: _____

City, State, Zip: _____

Company: _____

Name: _____

Phone Number: _____

Signature: _____

Date: _____