

**A** Platform Plan View

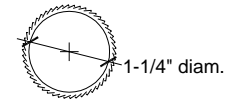
**Please Verify:**

F.F. to Parapet: \_\_\_\_\_

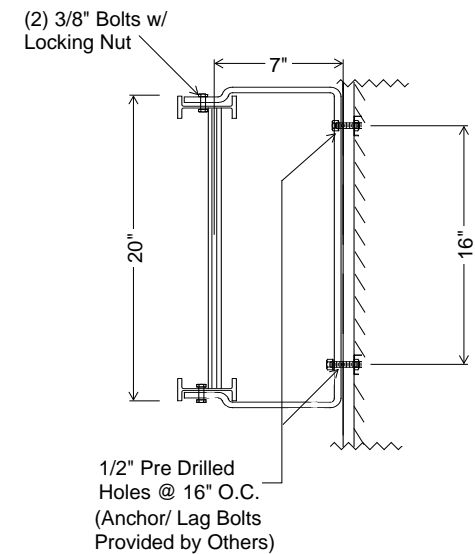
Parapet to Roof: \_\_\_\_\_

Parapet Width: \_\_\_\_\_

Obstacles on Wall: \_\_\_\_\_



**C** Rung Section



**B** Wall Bracket Detail

**Industrial Ladder & Scaffolding, Inc.**

8152 Belvedere Ave. P: (800) 262-0231  
 Sacramento, CA F: (916) 452-0245  
 www.anyladder.com

**Since 1959**

- Ladder Options:**
- Fall Protection Safety Gate
  - Off Floor Mounting
  - Reinforced Side Rails
  - Vertical Handrails
  - Security Door

**ALACCBPR**

Freight  Will Call - Sacramento, CA

Address: \_\_\_\_\_

City, State, Zip: \_\_\_\_\_

Company: \_\_\_\_\_

Name: \_\_\_\_\_

Phone Number: \_\_\_\_\_

Signature: \_\_\_\_\_

Date: \_\_\_\_\_