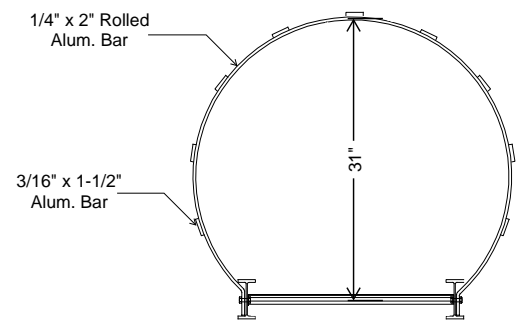
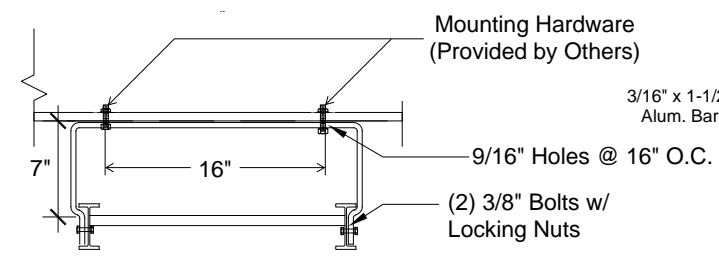


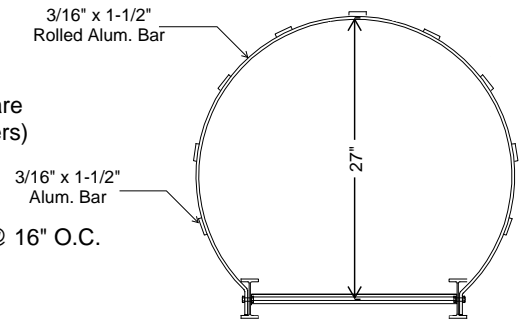
**(B)** Ladder Rung Cross Section



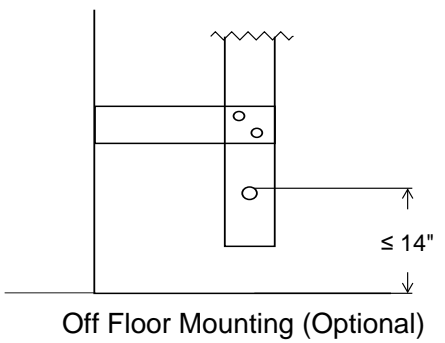
**(D)** Bottom Hoop Detail



**(C)** Wall Bracket Plan View



**(E)** Intermediate Hoop Detail



**CONTRACTOR TO VERIFY THE FOLLOWING DIMENSIONS:**

F.F. to Roof Line: \_\_\_\_\_

Wall Pop Outs: \_\_\_\_\_

**Industrial Ladder & Scaffolding, Inc.**

8152 Belvedere Ave. P: (800) 262-0231  
 Sacramento, CA F: (916) 452-0245  
 www.anyladder.com

Since 1959

- Ladder Options:**
- Deluxe Combination Locking Door and Hatch
  - Security Hoop Hatch
  - Security Door
  - Reinforced Siderails

**ALACCBX**

FREIGHT       Will Call - Sacramento

Address: \_\_\_\_\_

City, State, Zip: \_\_\_\_\_

Company: \_\_\_\_\_

Name: \_\_\_\_\_

Phone Number: \_\_\_\_\_

Signature: \_\_\_\_\_