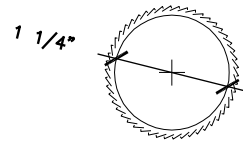
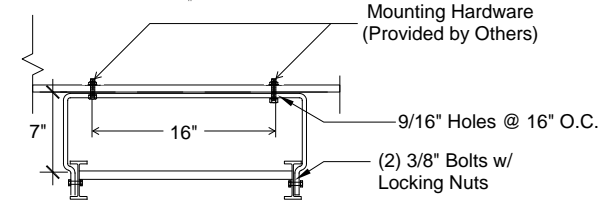


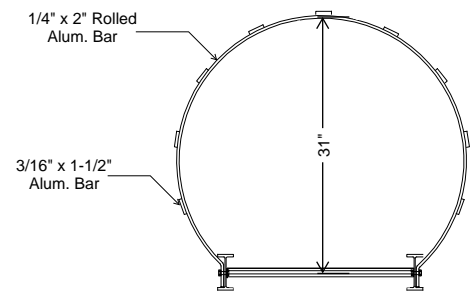
(A) Platform Plan View



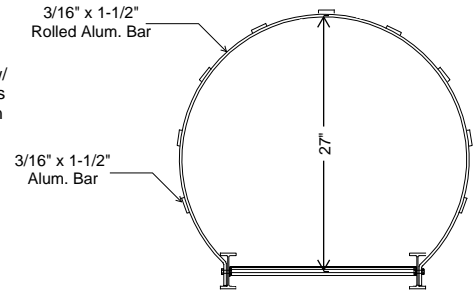
(B) Ladder Rung Cross Section



(C) Wall Bracket Plan View



(D) Bottom Hoop Detail



(E) Intermediate Hoop Detail

CONTRACTOR TO VERIFY THE FOLLOWING DIMENSIONS:

F.F. to Roof Line: _____
 Parapet Width: _____
 Platform Length: _____
 Furthest Pop Out on Wall (Ladder Side): _____

Industrial Ladder & Scaffolding, Inc.

8152 Belvedere Ave. P: (800) 262-0231
 Sacramento, CA F: (916) 452-0245
 www.anyladder.com

Since 1959

Ladder Options:

- Deluxe Combination Locking Door and Hatch
- Security Hoop Hatch
- Security Door
- Reinforced Siderails

ALACCBXP

FREIGHT Will Call - Sacramento

Address: _____
 City, State, Zip: _____

Company: _____
 Name: _____
 Phone Number: _____
 Signature: _____