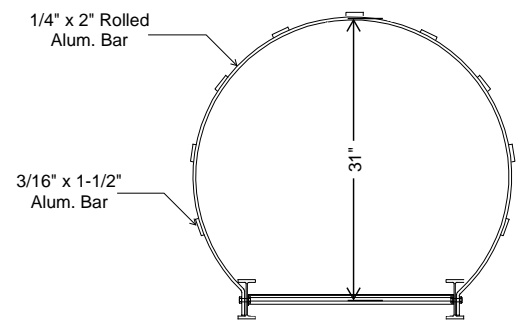
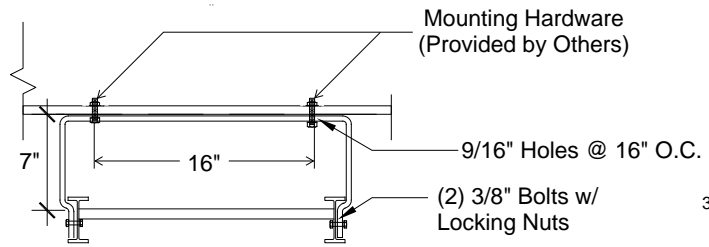


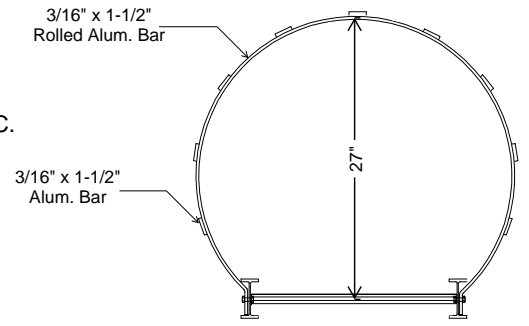
(B) Ladder Rung Cross Section



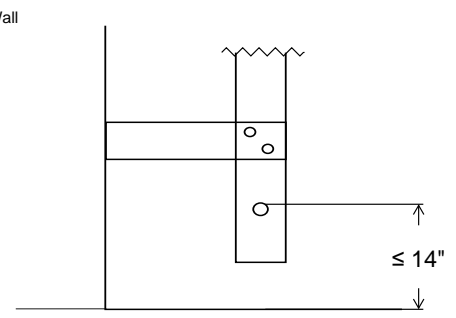
(D) Bottom Hoop Detail



(C) Wall Bracket Plan View



(E) Intermediate Hoop Detail



Off Floor Mounting (Optional)

CONTRACTOR TO VERIFY THE FOLLOWING DIMENSIONS:
 F.F. to Ceiling: _____
 F.F. to Roof Hatch Lid: _____

Industrial Ladder & Scaffolding, Inc.
 8152 Belvedere Ave. P: (800) 262-0231
 Sacramento, CA F: (916) 452-0245
 www.anyladder.com
 Since 1959

- Ladder Options:**
- Ladder Safety Post
 - Security Hoop Hatch
 - Security Door
 - Reinforced Siderails

ALACCRHX

FREIGHT Will Call - Sacramento

Address: _____
 City, State, Zip: _____

Company: _____
 Name: _____
 Phone Number: _____
 Signature: _____