

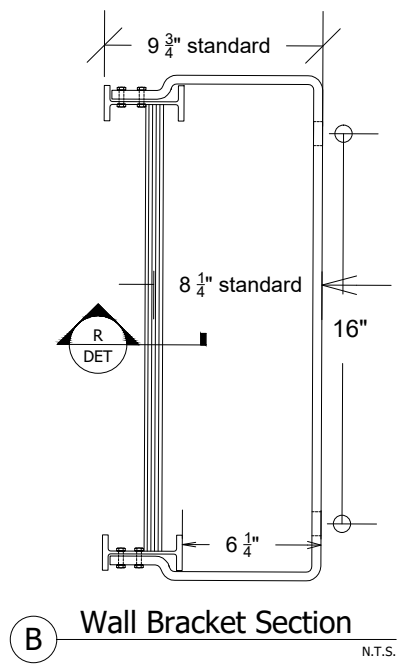
MAIN LADDER Bracket Locations from bottom of ladder (no more than 6' apart):

1. _____
2. _____
3. _____
4. _____

RETURN LADDER Bracket Locations from bottom of ladder (no more than 6' apart):

1. _____
2. _____
3. _____

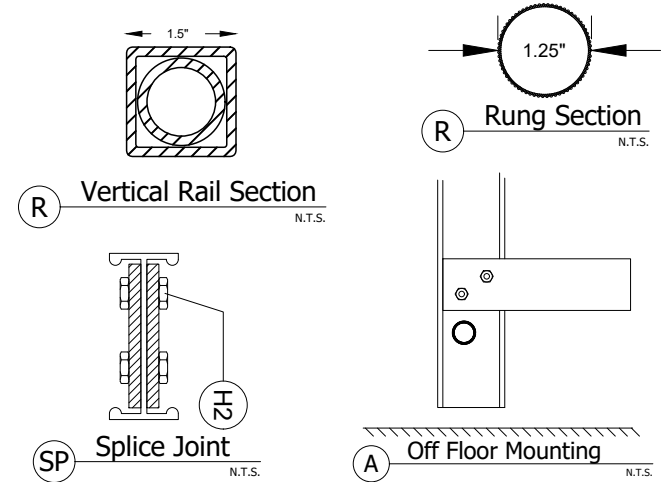
A Platform Plan View N.T.S.



B Wall Bracket Section N.T.S.

ALACCGPR SPECIFICATIONS:

1	Floor Bracket	2 1/2" x 1/4" 6063-T52 Aluminum Bar. Secured to ladder siderail using [HDWE 2]. 9/16" Pre-drilled hole for mounting hardware (mounting hardware by others).
2	Siderail	Aluminum I Beam Design: Flange Width = 1 7/16", Flange Thickness = 1/4", Web Thickness = 3/8", Web Height = 3 1/2".
3	Rung	Aluminum 6061-T6 deeply serrated ladder rung for hand and foot traction, 1 1/4" Ø x 3/8" thick.
4	Wall Bracket	2 1/2" wide x 1/4" thick 6063-T52 Aluminum Bar secured to ladder siderail with [HDWE 1]. 9/16" punched holes that are 16" on center for mounting hardware (provided by others).
5	Splice Joint	(2) 1/4" thick x 3" wide 6061-T6 Aluminum Bars sandwiching the I-Beam design side rail where splice occurs. Fastened to each section with (4) 1/4" grade 8 hex head bolts with locking nuts on both the upper and lower ladders that are spliced together.
6	End Cap	Ladder end caps create smooth finish at top of ladder siderail.
7	Vertical Rails	Vertical ladder square tube handrails extending more than 42" above the top rung. Handrails are attached to ladder side rail using H1 hardware package. Bolts run through boarding rails, side rail, and are backed with a 3/8" x 1.5" aluminum rectangular bar.
H1	HDWE 1	3/8" hex head steel bolt, grade 8 bolt paired with (2) 3/8" washers, and a grade 8 nylon locking nut.
H2	HDWE 2	1/4" hex head, grade 8 bolt paired with (2) 1/4" washers, and a grade 8 nylon locking nut.
H3	HDWE 3	1/4" x 1 1/2" aluminum pop rivet.
8	Platform	2" Planking Tread Framed with 3" x 3" x .25" Aluminum Channel and bolted through the ladder siderail with H2 hardware.
9	Guardrails	1.5" Square Tube Handrails.



INDUSTRIAL LADDER & SCAFFOLDING
 Serving the Construction Industry Since 1959
 sales@anyladder.com www.anyladder.com

ADDITIONAL OPTIONS:

<input type="checkbox"/> Off Floor Mounting
<input type="checkbox"/> 92" Lockable Security Door

ALACCGPR

FREIGHT (SPECIFY ADDRESS) WILL CALL - BENICIA, CA

PROJECT: _____

ADDRESS: _____

CITY, STATE, ZIP: _____

JOB PHONE #: _____

COMPANY: _____

APPROVED BY: _____

SIGNATURE: _____

QUANTITY: _____

PHONE #: _____

DATE: _____