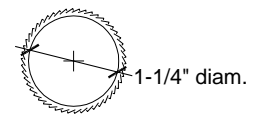
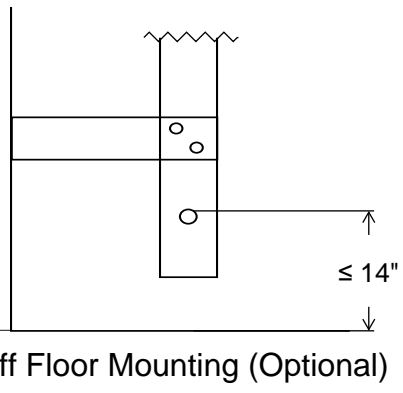


9/16" Pre Drilled Holes @ 16" O.C. (Anchor/ Lag Bolts Provided by Others)

(A) Wall Bracket Detail



(B) Ladder Rung Cross Section



CONTRACTOR TO VERIFY THE FOLLOWING DIMENSIONS:

- (A) F.F. to Mezzanine: _____
- (B) Overall Height: _____

Industrial Ladder & Scaffolding, Inc.
 8152 Belvedere Ave. P: (800) 262-0231
 Sacramento, CA F: (916) 452-0245
 www.anyladder.com
 Since 1959

- Ladder Options:**
- Retractable Ladder Safety Post
 - Security Door
 - Reinforced Siderails
 - Off Floor Mounting

ALACCM

Freight Will Call - Sacramento

Address: _____

City, State, Zip: _____

Company: _____

Name: _____

Phone Number: _____

Signature: _____